

## Flexible RG58 Coax Cable Single Shielded with Black PVC (NC) Jacket

### TECHNICAL DATA SHEET

### RG58C/U

Flexible RG58 Coax Cable Single Shielded with Black PVC (NC) Jacket

#### Configuration

Inner Conductor Material and Plating	Copper, Tin
Dielectric Type	PE
Shield Materials	Tinned Copper Braid
Jacket Material and Color	PVC (NC), Black

#### Electrical Specifications

Impedance, Ohms	50
Velocity of Propagation, %	65.9
Maximum Operating Frequency, GHz	5
RF Shielding, dB	45
Capacitance, pF/ft [pF/m]	30.8 [101.05]
Maximum Operating Voltage, Volts	1,900

#### Electrical Specifications by Frequency

##### Frequency 1

Frequency, MHz	10
Attenuation, dB/100ft [dB/100m]	1.4 [4.59]
Power Handling, Watts	650

##### Frequency 2

Frequency, MHz	100
Attenuation, dB/100ft [dB/100m]	4.9 [16.08]
Power Handling, Watts	170

##### Frequency 3

Frequency, MHz	1000
Attenuation, dB/100ft [dB/100m]	20 [65.62]
Power Handling, Watts	44

##### Frequency 4

Frequency, GHz	5
Attenuation, dB/100ft [dB/100m]	60 [196.85]
Power Handling, Watts	15

#### Mechanical Specifications

##### Temperature

Operating Range, deg C	-40 to +80
------------------------	------------

Click the following link (or enter part number in "SEARCH" on website) to obtain additional part information including price, inventory and certifications: [Flexible RG58 Coax Cable Single Shielded with Black PVC \(NC\) Jacket RG58C/U](#)

The information contained in this document is accurate to the best of our knowledge and representative of the part described herein. It may be necessary to make modifications to the part and/or the documentation of the part, in order to implement improvements. Pasternack reserves the right to make such changes as required. Unless otherwise stated, all specifications are nominal.



## Flexible RG58 Coax Cable Single Shielded with Black PVC (NC) Jacket

### TECHNICAL DATA SHEET

### RG58C/U

**Inner Conductor**

Number of Strands	19
Material	Copper
Plating	Tin
Diameter, in [mm]	0.036 [0.91]

**Dielectric:**

Type	PE
Diameter, in [mm]	0.116 [2.95]

**Shield:**

Number of	1
Material 1	Tinned Copper Braid
Diameter, in [mm]	0.138 [3.51]

**Jacket:**

Material	PVC (NC)
Diameter, in [mm]	0.195 [4.95]
Color	Black
One Time Minimum Bend Radius, in [mm]	2 [50.8]
Weight, lbs/ft [Kg/m]	0.025 [0.04]

**Compliance Certifications** (visit [www.Pasternack.com](http://www.Pasternack.com) for current document)

RoHS Compliant	Yes
----------------	-----

**Plotted and Other Data**

Notes:	Values at 25 °C, sea level
--------	----------------------------

URL: <http://www.pasternack.com/flexible-0.195-rg58-50-ohm-coax-cable-pvc-jacket-rg58c-u-p.aspx>

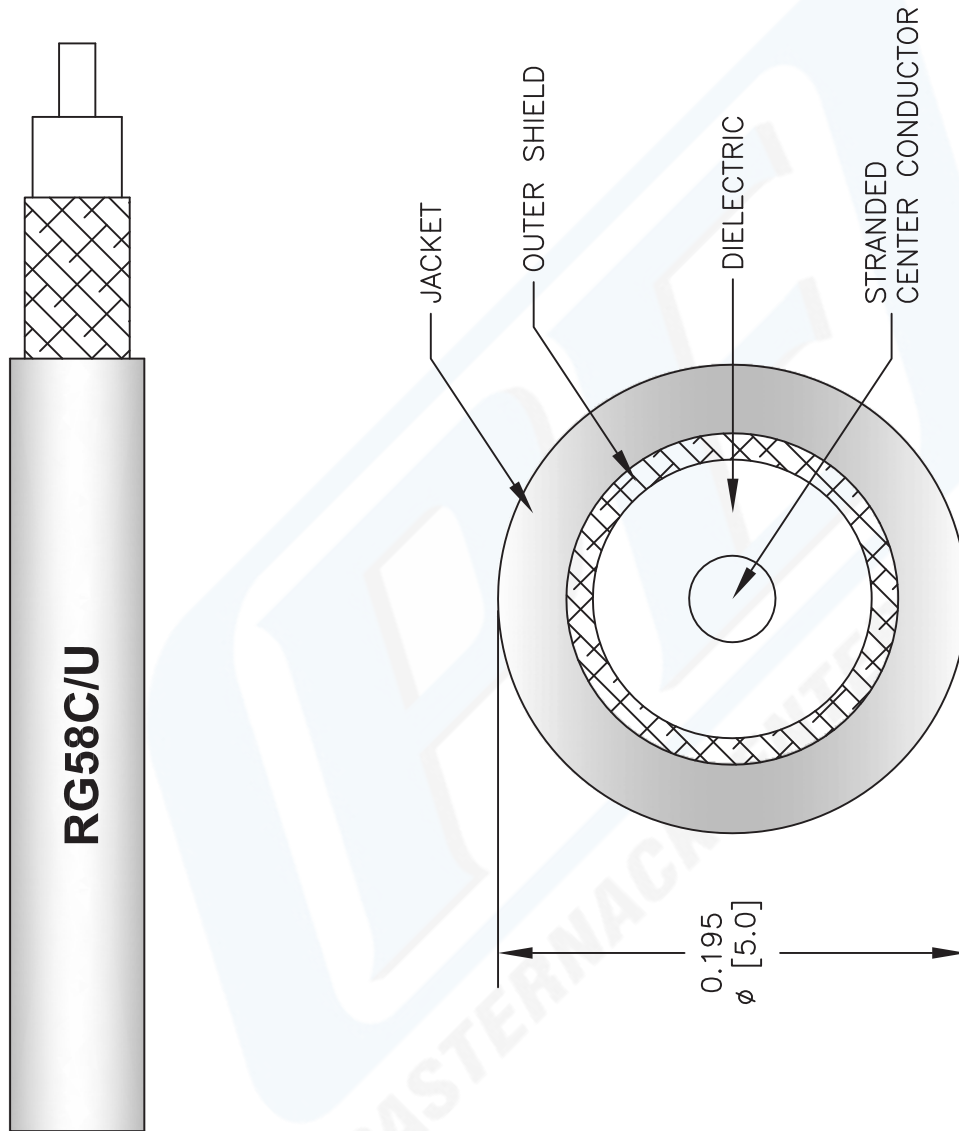
Flexible RG58 Coax Cable Single Shielded with Black PVC (NC) Jacket from Pasternack Enterprises has same day shipment for domestic and International orders. Our RF, microwave and fiber optic products maintain a 99% availability and are part of the broadest selection in the industry.

The information contained in this document is accurate to the best of our knowledge and representative of the part described herein. It may be necessary to make modifications to the part and/or the documentation of the part, in order to implement improvements. Pasternack reserves the right to make such changes as required. Unless otherwise stated, all specifications are nominal.



# RG58C/U CAD Drawing

Flexible RG58 Coax Cable Single Shielded with Black PVC (NC) Jacket



NOTES:  
 1. UNLESS OTHERWISE SPECIFIED ALL DIMENSIONS ARE NOMINAL.  
 2. ALL SPECIFICATIONS ARE SUBJECT TO CHANGE WITHOUT NOTICE AT ANY TIME.  
 3. DIMENSIONS ARE IN INCHES [mm].

DWG TITLE  
**RG58C/U**

FSCM NO. 53919

2233

SIZE A

SCALE N/A

CAD FILE 022808-A



Pasternack Enterprises, Inc.  
 P.O. Box 16759 | Irvine | CA | 92623  
 Phone: (949) 261-1920 | Fax: (949) 261-7451  
 Website: www.pasternack.com | E-Mail: sales@pasternack.com